

THOR TOWERSTACKER™

TELESCOPIC CABLE
MAST CONVEYOR




**MOVE
MOUNTAINS.**

METRIC

THOR TOWERSTACKER™

TELESCOPIC CABLE
MAST CONVEYOR



THIS CABLE MAST DESIGN
ALLOWS YOU TO REACH SIZES
AND TONNAGES BEYOND ANY
CONVENTIONAL TELESCOPIC.

STANDARD FEATURES

- Belt scrapers (twin-edge) & tensioning System: **patented**
- Belt splice: vulcanized
- Cable slack & tension detection
- Contactors: IEC
- Electrical cable harness pulley: UHMW
- Emergency braking system
- Gear reducers: CLASS 2
- Hydraulic cylinders: single stage
- Idlers: CEMA C
- Idlers: PVC
- Inductive proximity sensors
- INOVUS Automation technology
- LES: **patented**
- Limit switches: NEMA 4
- PLC: MicroLogix 1400
- Program: windrow auto mode
- Pulleys: mine duty
- Push button control
- Safety guarding
- Side guide rollers: UHMW
- Steel: 60,000 psi
- Stone box skirting (floating): UHMW
- Tail pulley access
- Tail pulley kicker bar
- Tail undercarriage hinge point
- Touch screen control
- Training: onsite
- Ultrasonic sensors
- Variable frequency drive

OPTIONAL FEATURES

- Colour: custom
- Contactors & starters: NEMA
- Dual drive
- Galvanizing: hot-dip
- Program package: zero segregation & max pile auto mode
- Receiving chute: custom
- Walkway
- Wire remote touch screen: dual
- Wire remote touch Screen: regular
- Wireless remote control

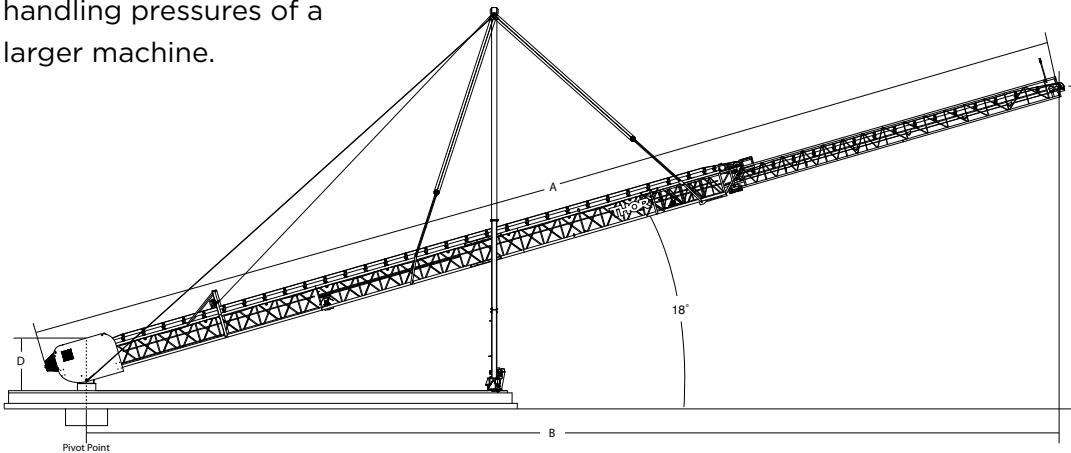
LES: PATENTED



SPECIALTY FEATURES

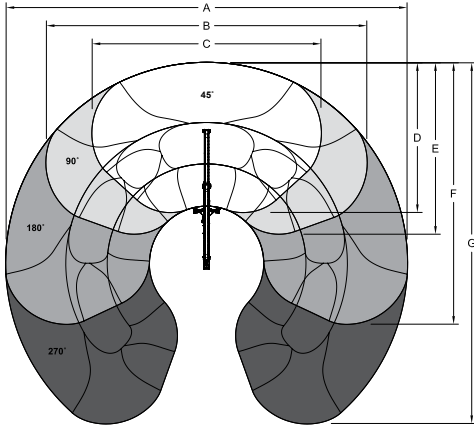
- Belt alignment sensor
- Belt covers: **patented**
- Belt scale: mechanical
- Belt scrapers: Martin
- Discharge spout: telescoping
- Safety pull chord
- Zero speed sensor

THOR GLOBAL HAS APPLIED TELESCOPIC TECHNOLOGY TO A TRADITIONAL CABLE MAST SYSTEM THAT HAS BEEN SUCCESSFUL IN STOCKPILING APPLICATIONS FOR DECADES. The ThorTowerStacker™ is a scalable product that has been engineered to perfection using a rail system configuration that is capable of handling pressures of a larger machine.



| MODEL | BELT WIDTH | CAPACITY | A | B | C | D |
|--------------------|------------|-----------------|-------|-------|-------|------|
| TS200x36-0800 | 900mm | 725MTPH | 61.0m | 56.5m | 20.4m | 2.7m |
| TS230x36-0800 | 900mm | 725MTPH | 70.1m | 65.1m | 23.3m | 2.7m |
| TS250x36-0800 | 900mm | 725MTPH | 76.2m | 70.9m | 25.1m | 2.7m |
| TS200x42-1200/1500 | 1050mm | 1000 & 1300MTPH | 61.0m | 56.5m | 20.4m | 2.7m |
| TS230x42-1200/1500 | 1050mm | 1000 & 1300MTPH | 70.1m | 65.1m | 23.3m | 2.7m |
| TS250x42-1200/1500 | 1050mm | 1000 & 1300MTPH | 76.2m | 70.9m | 25.1m | 2.7m |
| TS150x48-2000 | 1200mm | 1800MTPH | 45.7m | 42.3m | 16.9m | 2.7m |
| TS200x48-2000 | 1200mm | 1800MTPH | 61.0m | 56.5m | 20.4m | 2.7m |
| TS230x48-2000 | 1200mm | 1800MTPH | 70.1m | 65.1m | 23.3m | 2.7m |
| TS250x48-2000 | 1200mm | 1800MTPH | 76.2m | 70.9m | 25.1m | 2.7m |
| TS150x54-3000 | 1350mm | 2700MTPH | 45.7m | 42.3m | 17.2m | 3.0m |
| TS200x54-3000 | 1350mm | 2700MTPH | 61.0m | 56.5m | 20.4m | 3.0m |

All sizes and dimensions are approximate and Thor Global reserves the right to make changes to their product at any time without notification.



KEY BENEFITS

- Enlarged structural design enables you to stockpile material in excess of 350,000 tons and 4000STPH.
- Conveyor can be lowered all the way to the ground to provide easy access for maintenance.
- No head or tail undercarriage provides greater clearance under the conveyor.

STOCKPILE SPECIFICATIONS:

| MODEL | A | B | C | D | E | F | G |
|--------------------|--------|--------|--------|-------|-------|--------|--------|
| TS200x36-0800 | 165.8m | 138.4m | 101.2m | 58.8m | 71.6m | 110.3m | 152.4m |
| TS200x36-0800 | 191.1m | 159.4m | 116.4m | 68.1m | 82.3m | 127.1m | 175.6m |
| TS250x36-0800 | 207.5m | 173.1m | 126.5m | 72.7m | 89.6m | 137.8m | 190.8m |
| TS200x42-1200/1500 | 165.8m | 138.4m | 101.2m | 58.8m | 71.6m | 110.3m | 152.4m |
| TS230x42-1200/1500 | 191.1m | 159.4m | 116.4m | 67.5m | 82.3m | 127.1m | 175.6m |
| TS250x42-1200/1500 | 207.5m | 173.1m | 126.5m | 72.7m | 89.6m | 137.8m | 190.8m |
| TS150x48-2000 | 129.8m | 108.2m | 79.2m | 46.6m | 56.1m | 86.3m | 119.5m |
| TS200x48-2000 | 165.8m | 138.4m | 101.2m | 58.8m | 71.6m | 110.3m | 152.4m |
| TS230x48-2000 | 191.1m | 159.4m | 116.4m | 67.5m | 82.3m | 127.1m | 175.6m |
| TS250x48-2000 | 207.5m | 173.1m | 126.5m | 72.7m | 89.6m | 137.8m | 190.8m |
| TS150x54-3000 | 129.8m | 108.2m | 79.2m | 46.6m | 56.1m | 86.3m | 119.5m |
| TS200x54-3000 | 165.8m | 138.4m | 101.2m | 58.8m | 71.6m | 110.3m | 152.4m |

STOCKPILE CAPACITIES:

| MODEL | BELT WIDTH | 45° | 90° | 180° | 270° | FOR EACH ADDITIONAL 1° |
|--------------------|------------|---|--|--|--|--------------------------------------|
| TS200x36-0800 | 900mm | 37,803 m ³ 60,555 tonnes | 63,741 m ³ 102,104 tonnes | 115,646 m ³ 185,247 tonnes | 167,551 m ³ 268,391 tonnes | 552 m ³ 885 tonnes |
| TS230x36-0800 | 900mm | 56,973 m ³ 91,263 tonnes | 94,522 m ³ 153,314 tonnes | 173,214 m ³ 277,462 tonnes | 250,717 m ³ 401,611 tonnes | 850 m ³ 1,361 tonnes |
| TS250x36-0800 | 900mm | 72,661 m ³ 116,392 tonnes | 121,394 m ³ 194,455 tonnes | 219,417 m ³ 351,489 tonnes | 317,432 m ³ 508,477 tonnes | 1,076 m ³ 1,724 tonnes |
| TS200x42-1200/1500 | 1050mm | 37,803 m ³ 60,555 tonnes | 63,741 m ³ 102,104 tonnes | 115,646 m ³ 185,247 tonnes | 167,551 m ³ 268,391 tonnes | 552 m ³ 885 tonnes |
| TS230x42-1200/1500 | 1050mm | 56,973 m ³ 91,263 tonnes | 94,522 m ³ 153,314 tonnes | 173,214 m ³ 277,462 tonnes | 250,717 m ³ 401,611 tonnes | 850 m ³ 1,361 tonnes |
| TS250x42-1200/1500 | 1050mm | 72,661 m ³ 116,392 tonnes | 121,394 m ³ 194,455 tonnes | 219,417 m ³ 351,489 tonnes | 317,432 m ³ 508,477 tonnes | 1,076 m ³ 1,724 tonnes |
| TS150x48-2000 | 1200mm | 19,836 m ³ 31,774 tonnes | 30,780 m ³ 49,305 tonnes | 57,936 m ³ 92,805 tonnes | 85,120 m ³ 136,350 tonnes | 297 m ³ 476 tonnes |
| TS200x48-2000 | 1200mm | 37,803 m ³ 60,555 tonnes | 63,741 m ³ 102,104 tonnes | 115,646 m ³ 185,247 tonnes | 167,551 m ³ 268,391 tonnes | 552 m ³ 885 tonnes |
| TS230x48-2000 | 1200mm | 56,973 m ³ 91,263 tonnes | 94,522 m ³ 153,314 tonnes | 173,214 m ³ 277,462 tonnes | 250,717 m ³ 401,611 tonnes | 850 m ³ 1,361 tonnes |
| TS250x48-2000 | 1200mm | 72,661 m ³ 116,392 tonnes | 121,394 m ³ 194,455 tonnes | 219,417 m ³ 351,489 tonnes | 317,432 m ³ 508,477 tonnes | 1,076 m ³ 1,724 tonnes |
| TS150x54-3000 | 1350mm | 19,836 m ³ 31,774 tonnes | 30,780 m ³ 49,305 tonnes | 57,936 m ³ 92,805 tonnes | 85,120 m ³ 136,350 tonnes | 297 m ³ 476 tonnes |
| TS200x54-3000 | 1350mm | 37,038 m ³ 593,299 tonnes | 62,212 m ³ 99,654 tonnes | 112,559 m ³ 180,303 tonnes | 162,907 m ³ 260,952 tonnes | 552 m ³ 885 tonnes |

Actual capacity volumes may differ due to varying application conditions. Capacity calculations are based on 1602kg/m³ (1000kg = 1 tonne).